

KIB-298 Series

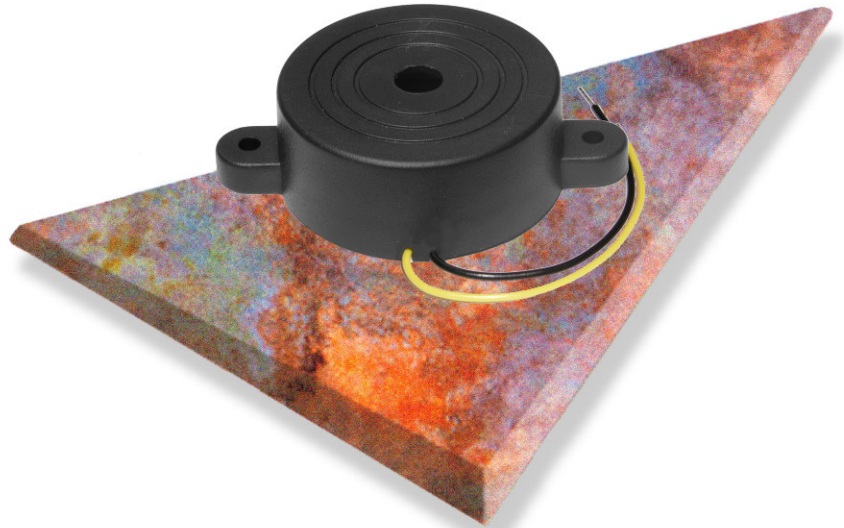
PIEZO BUZZER

Material of Case: ABS

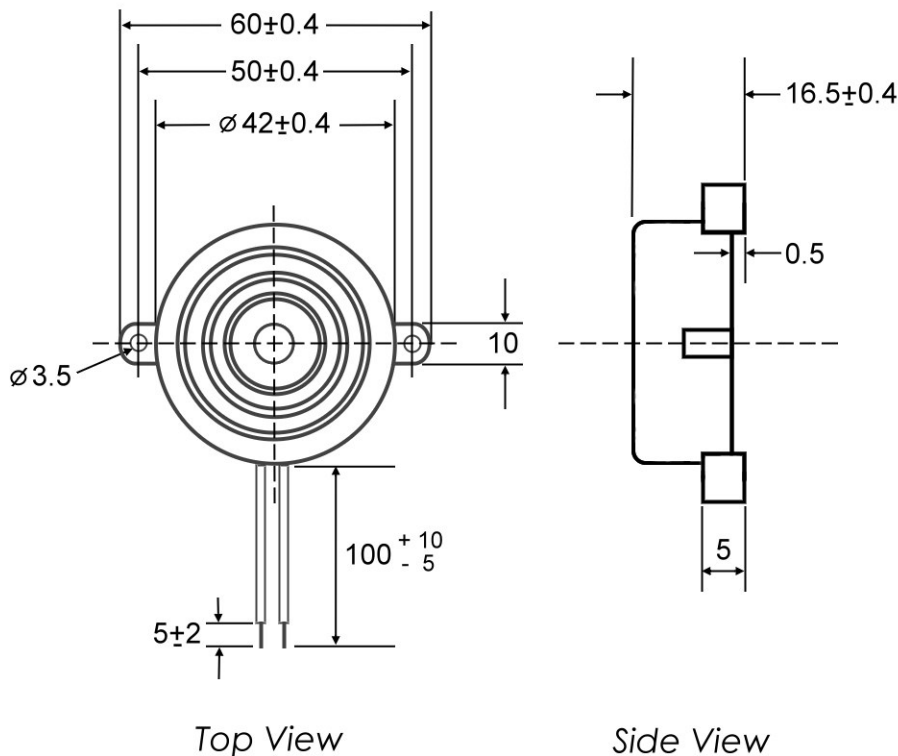
Colour: Black

Operating Temperature: -20°C +60°C

Storage Temperature: -30°C +70°C



DIMENSIONS (in mm)



Electrical Specifications

Model No.	29PN3120
Operating Voltage (VDC)	3-16
Rated Voltage (VDC)	12
Max. Current at Rated Voltage (mA)	15
Frequency (KHz)	2.9 ± 0.5
Min. Sound Pressure at Rated Voltage (dBA/30cm)	95
Tone	PULSE
Pulse Rate at Rated Voltage (Pulse/Sec)	0.8-1.2
Terminal	LEAD