

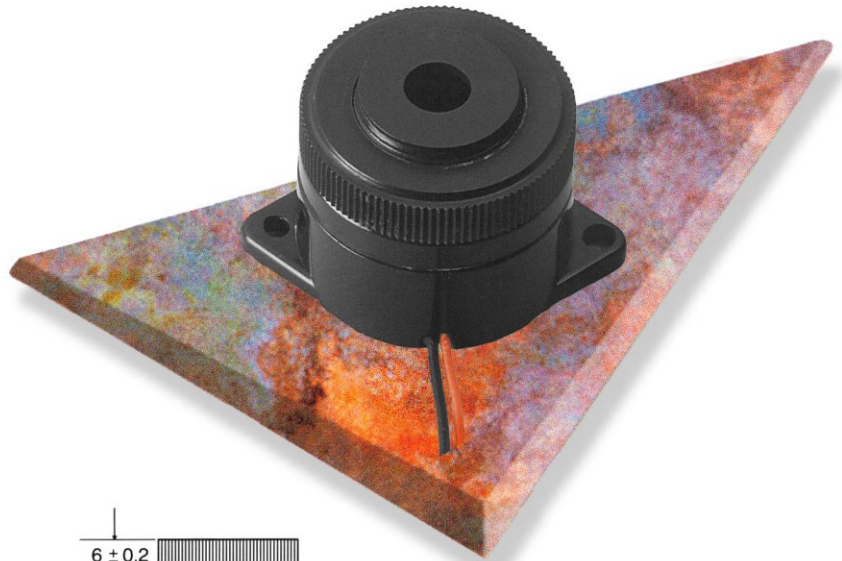
## PIEZO BUZZER

Material of Case: ABS

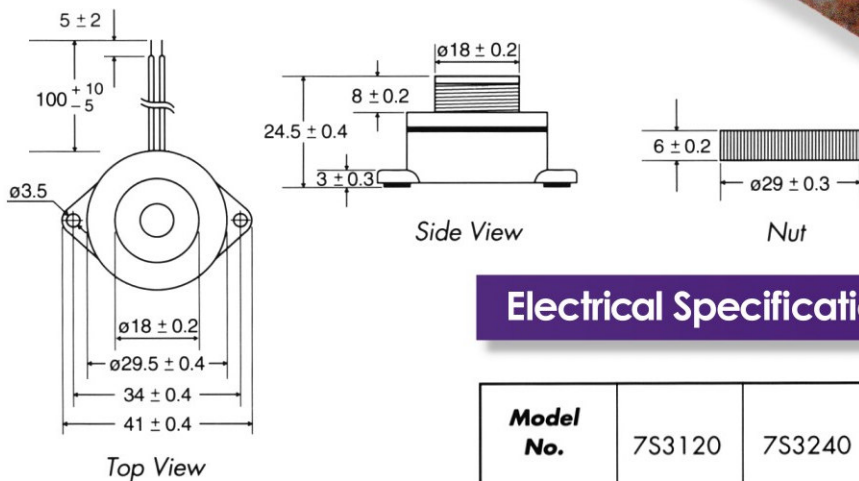
Colour: Black

Operating Temperature:  $-20^{\circ}\text{C}$   $+60^{\circ}\text{C}$

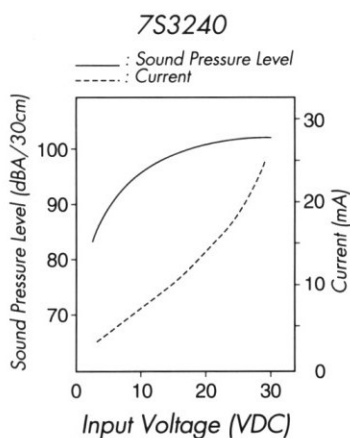
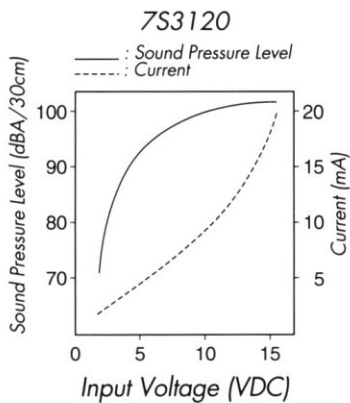
Storage Temperature:  $-30^{\circ}\text{C}$   $+70^{\circ}\text{C}$



### DIMENSIONS (in mm)



### CHARACTERISTICS



### Electrical Specifications

Model No.	7S3120	7S3240	7P3120	7P3240	7D3120	7D3240
Operating Voltage (VDC)	1.5-16	1.5-28	6-16	6-28	6-16	6-28
Rated Voltage (VDC)	12	24	12	24	12	24
Max. Current at Rated Voltage (mA)	15	20	10	15	15/10	20/15
Frequency (KHz)	3.5±0.5	3.5±0.5	3.5±0.5	3.5±0.5	3.5±0.5	3.5±0.5
Min. Sound Pressure at Rated Voltage (dB(A)/30cm)	95	95	90	90	95/90	95/90
Tone	SINGLE	SINGLE	PULSE	PULSE	SINGLE/PULSE	SINGLE/PULSE
Pulse Rate at Rated Voltage (Pulse/Sec)	NIL	NIL	3±1	3±1	3±1	3±1
Terminal	LEAD	LEAD	LEAD	LEAD	LEAD	LEAD