

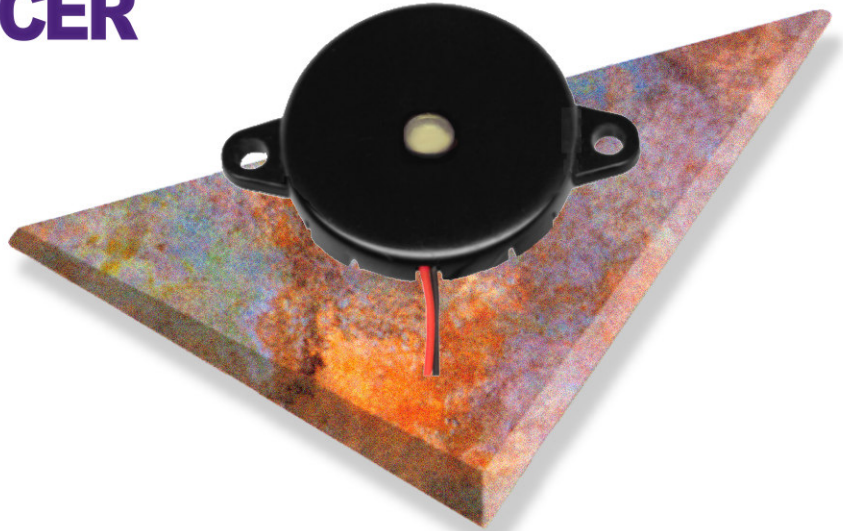
PIEZO TRANSDUCER

Material of Case: ABS

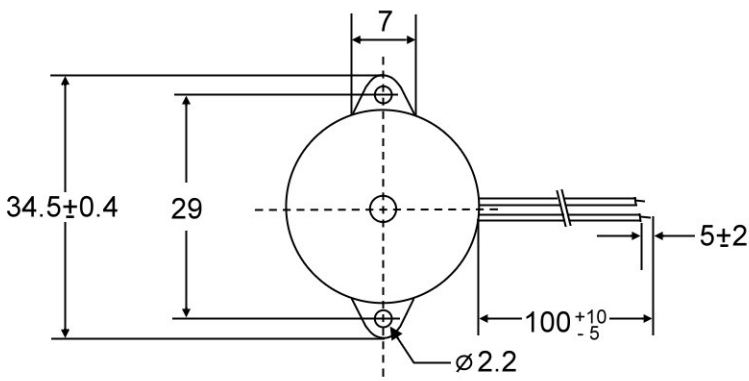
Colour: Black

Operating Temperature: -20 +60°C

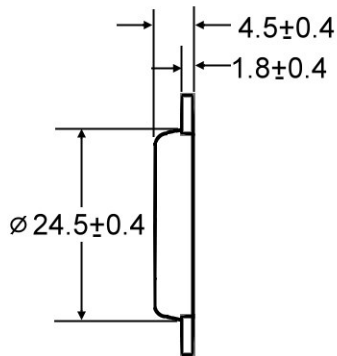
Storage Temperature: -40°C +85°C



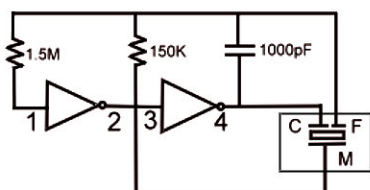
DIMENSIONS (in mm)



Top View



Side View



KPT-24L-3L Test Circuit

Electrical Specifications

Model No.	KPT-24L-2L	KPT-24L-3L
Max. Input Voltage (V p-p)	25	25
Piezo Type	External-Drive Type	Self-Drive Type
Rated Voltage (V p-p)	3	3
Resonant Frequency (KHz)	4.0 ± 0.5	4.0 ± 0.5
Min. Sound Pressure at Rated Voltage (dBA/10cm)	75	75
Terminal	2 LEAD	3 LEAD

* Value applying rated voltage:
Resonant Frequency, square wave 1/2 duty