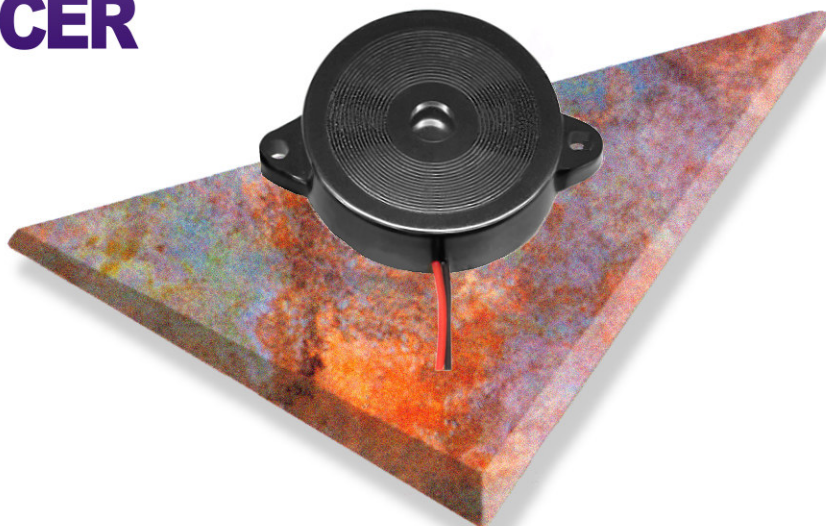
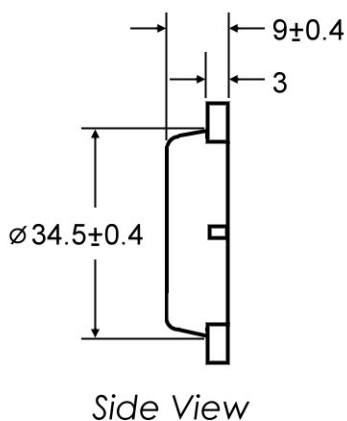
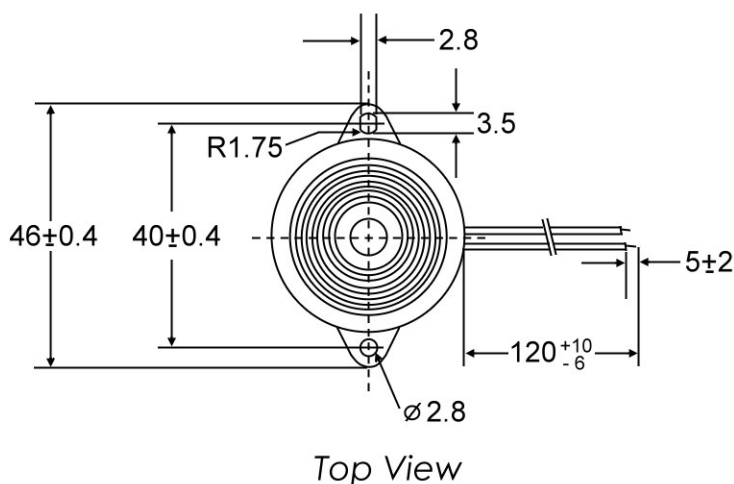


# PIEZO TRANSDUCER

Material of Case: ABS  
 Colour: Black  
 Operating Temperature: -20°C +60°C  
 Storage Temperature: -30°C +70°C



## DIMENSIONS (in mm)



## Electrical Specifications

<b>Model No.</b>	KTR-34-1L
<b>Max. Input Voltage (V p-p)</b>	40
<b>Rated Voltage (V p-p)</b>	12
<b>Max. Current at Rated Voltage (mA)</b>	3.0
<b>Resonant Frequency (KHz)</b>	1.1±0.5
<b>Min. Sound Pressure at Rated Voltage (dBA/30cm)</b>	75
<b>Capacitance (pF/1kHz)</b>	45000±30%
<b>Terminal</b>	LEAD

\* Value applying rated voltage:  
 Resonant Frequency, square wave 1/2 duty